

SX2C OSCILLATOR



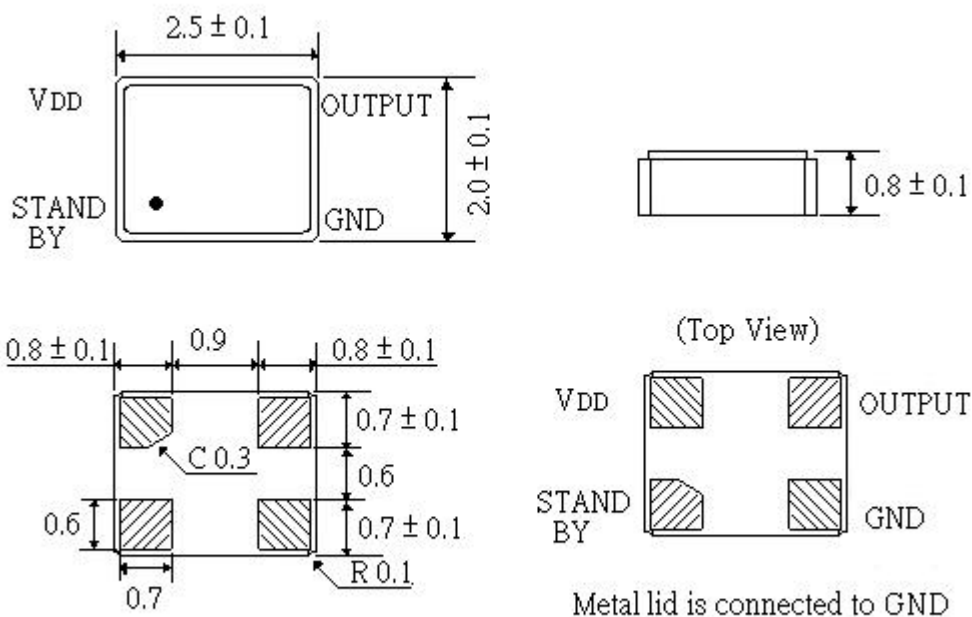
Specifications		
Parameters	Standard	Options
Frequency range	2.0 MHz – 50.0 MHz	
Logic output	HCMOS/TTL compatible	
Frequency stability		
Overall	+/- 50 ppm	+/-30 ppm best possible
Initial at 25°C	Please specify	
Temperature		
vs supply voltage change		
vs load change		
Aging first year		
Aging over Years		
Operating temperature	0° C ~ +70°C	-20°C ~ +70°C
		-40°C ~ +85°C
		Other on custom request
Storage temperature	-40°C ~ +85°C	-55°C ~ +125°C
Supply voltage	3,3 V +/- 5%	2,85 V
		Other on custom request
Current	15 mA max	Other
Load	15 pF	
Rise/fall time	10 ns max,	Other
Duty cycle	40/60 %	45/55 %
		Other on custom request
Phase noise	Please specify (if required)	
Harmonics		
Sub-harmonics		
Jitter		

SX2C OSCILLATOR

Specifications

Parameters	Standard	Options
Start-up time	10 ms max.	Other on custom request
Tristate	High or open = enable Low = disable	no tristate
Marking	Freq + Code + Week +Year	
Package	SX2 4 pad	

Drawing



pad configuration	4 pad version	
	#1: E/D or NC	
	#2 : GND	
	#3 : Output	
	#4 : Vcc	